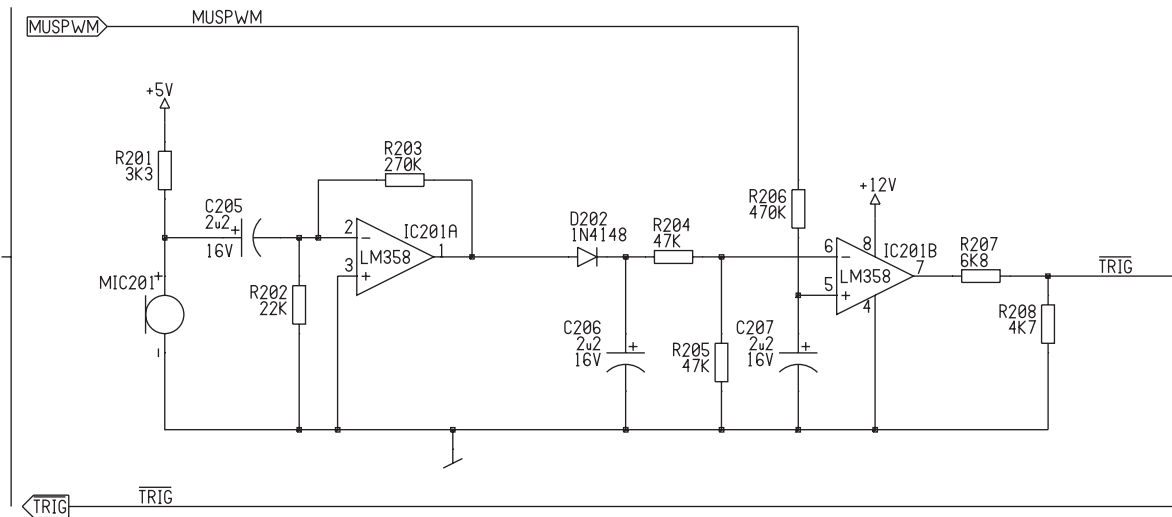
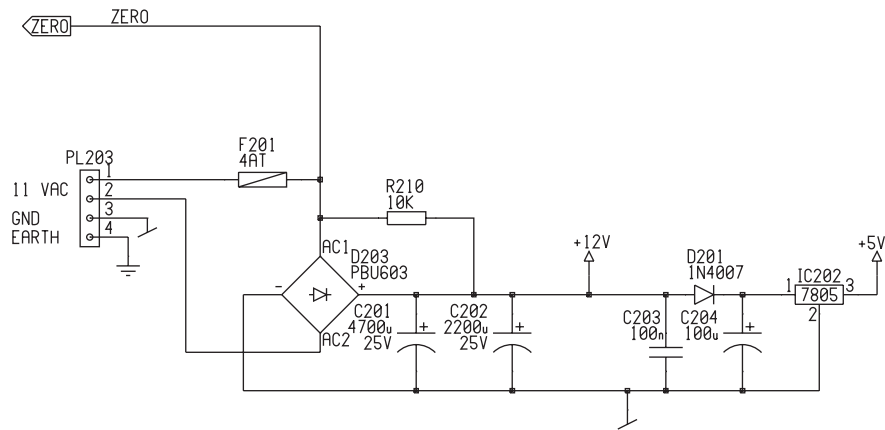


PRODUCT		ENG.	
RoboColor 3		Martin Professional A/S	
PCB ASSEMBLY		REVISION A0	PAGE 1 OF 3
NAME 811154A0.SCH / 101154A.PCB		DRAWN BY BH	
		DATE 29/4/97	TIME 14:37



PAGE 1

PRODUCT	RoboColor 3 PCB ASSEMBLY		ENG.	Martin Professional A/S	
NAME	811154A0.SCH / 101154A.PCB		REVISION A0	PAGE 2	OF 3
			DRAWN BY BH		
			DATE 29/4/97	TIME 14:37	